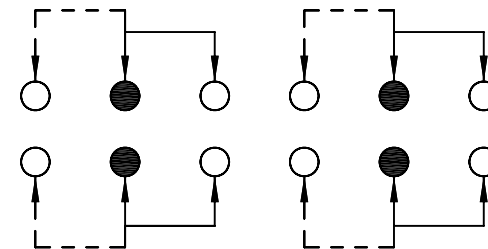
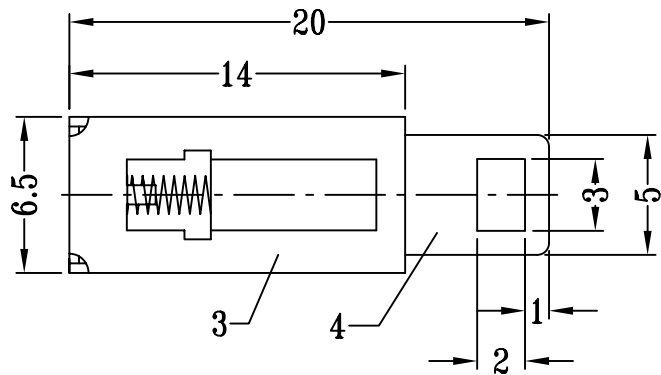
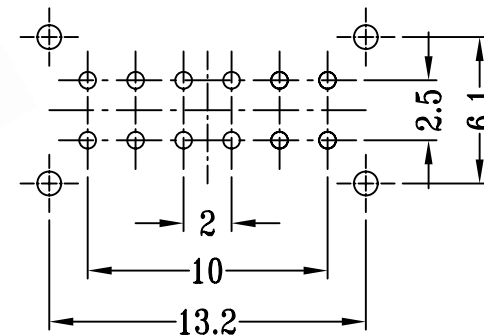
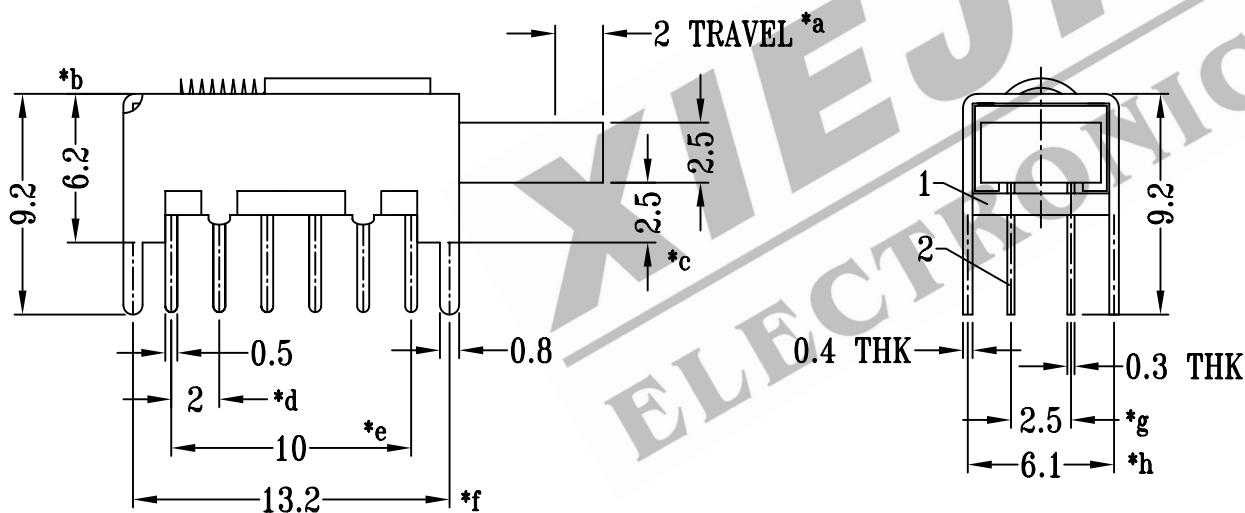


CAD FILE:



SCHEMATIC (SHORTING/NON-SHORTING)



P.C.B LAYOUT

注:带"*"表示关键尺寸(8个)

8					TOLERANCE UNLESS SPECIFIED	SHENZHEN XIEJIA ELECTRONICS CO.,LTD.				
7										
6	SPRING	STEEL WIRE	1	Ni PLATED	WITHIN: 1.5±0.1mm	ISSUE	DATE	DESCRIPTIONS		APPD.
5	CONTACT CLIP	PBS	4	Ag CLAD	OVER : 1.5±0.2mm					
4	NOB	PBT+F.G+94V0	1	WHITE	TITLE : PUSH SWITCH		UNIT : MM	DRWG NO.: XJ-DR-PS42D02-00		
3	FRAME	STEEL STRIP	1	Ni PLATED	MODEL: PS-42D02		SCALE: 3:1	DWN.	ZHOUYU	2005-9-17
2	TERMINAL	BRASS STRIP	12	Ag PLATED OVER Ni PLATED				CHK'D	FANGYING	2005-9-17
1	BASE	PHENOLIC RESIN	1	NATURAL	ALL MATERIALS MUST BE COMPLIANT TO ROHS			APPD.	KANGXINAN	2005-9-17
NO.	PART NAME	MATERIAL	Q'TY	FINISHING						